



IMI CORNELIUS INC.
www.cornelius.com

**Nordic
Model CCU0300***1
Service Parts Manual
(Includes 50Hz. Units)**

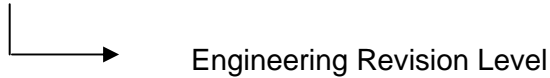


Publication Number: 631806062
Revision Date: July 1, 2008
Revision: B

Visit the IMI Cornelius web site at www.cornelius.com for all your Literature needs.

This parts list contains the service parts available for the CCU series icemakers listed below.

CCU03001 1 Air and Water Cooled**
CCU03005 1 Air and Water Cooled**



Check the model number on the data plate and refer to the correct listing for the specific component.

Check carefully that the correct part is identified and ordered.

Table of Contents	Page 1
Bin and Exterior Components	Page 2 - 3
Refrigeration System	Page 4 - 5
Harvest Assist Assembly	Page 6
Control Box	Page 7
Evaporator	Page 8
Water Pump	Page 9

E-Mail: [tech.service @cornelius.com](mailto:tech.service@cornelius.com)

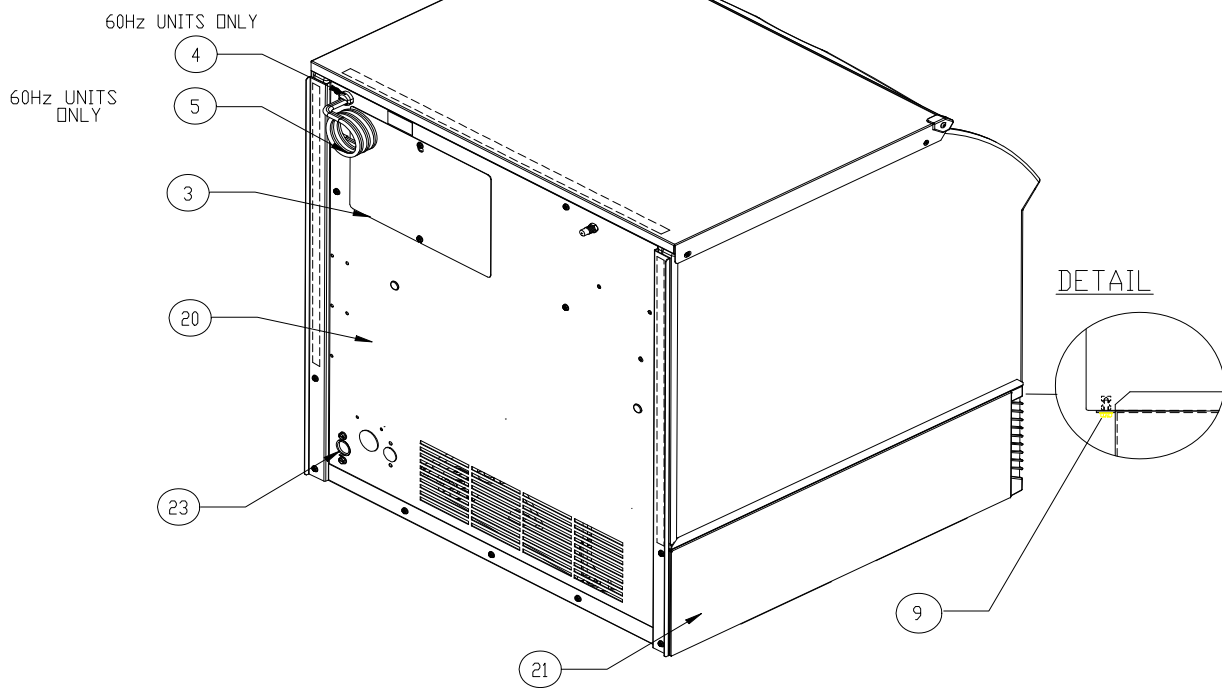
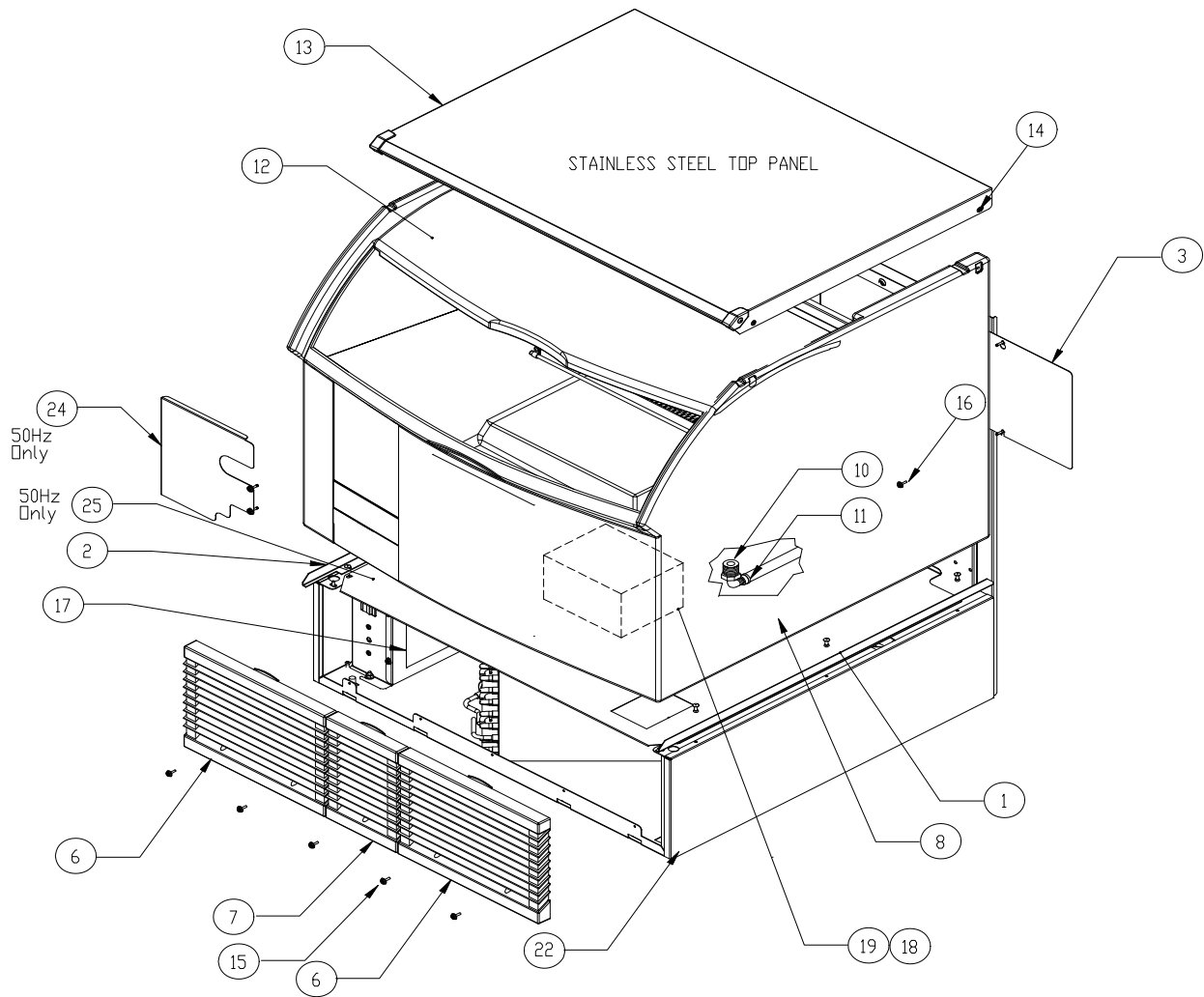
Website: www.cornelius.com

Telephone Number
800-238-3600 All Departments

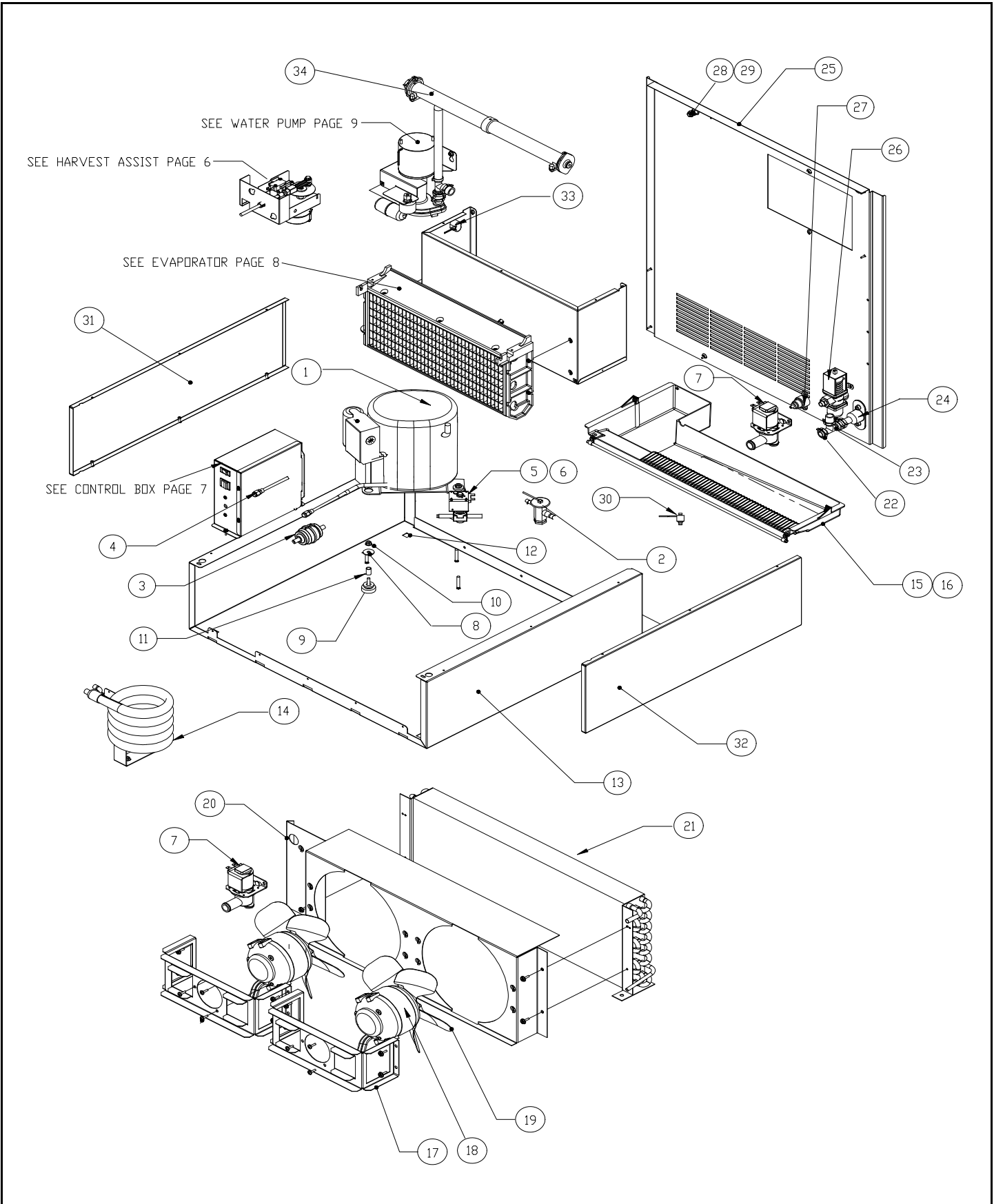
The CCU Series Service Manual is available seperately, Part Number 631806061

Note: Model Number Suffix Indicates Machine Voltage As Follows:

- 1=115/60/1
- 2=208-230/60/1
- 3=208-230/60/3
- 5=230/50/1



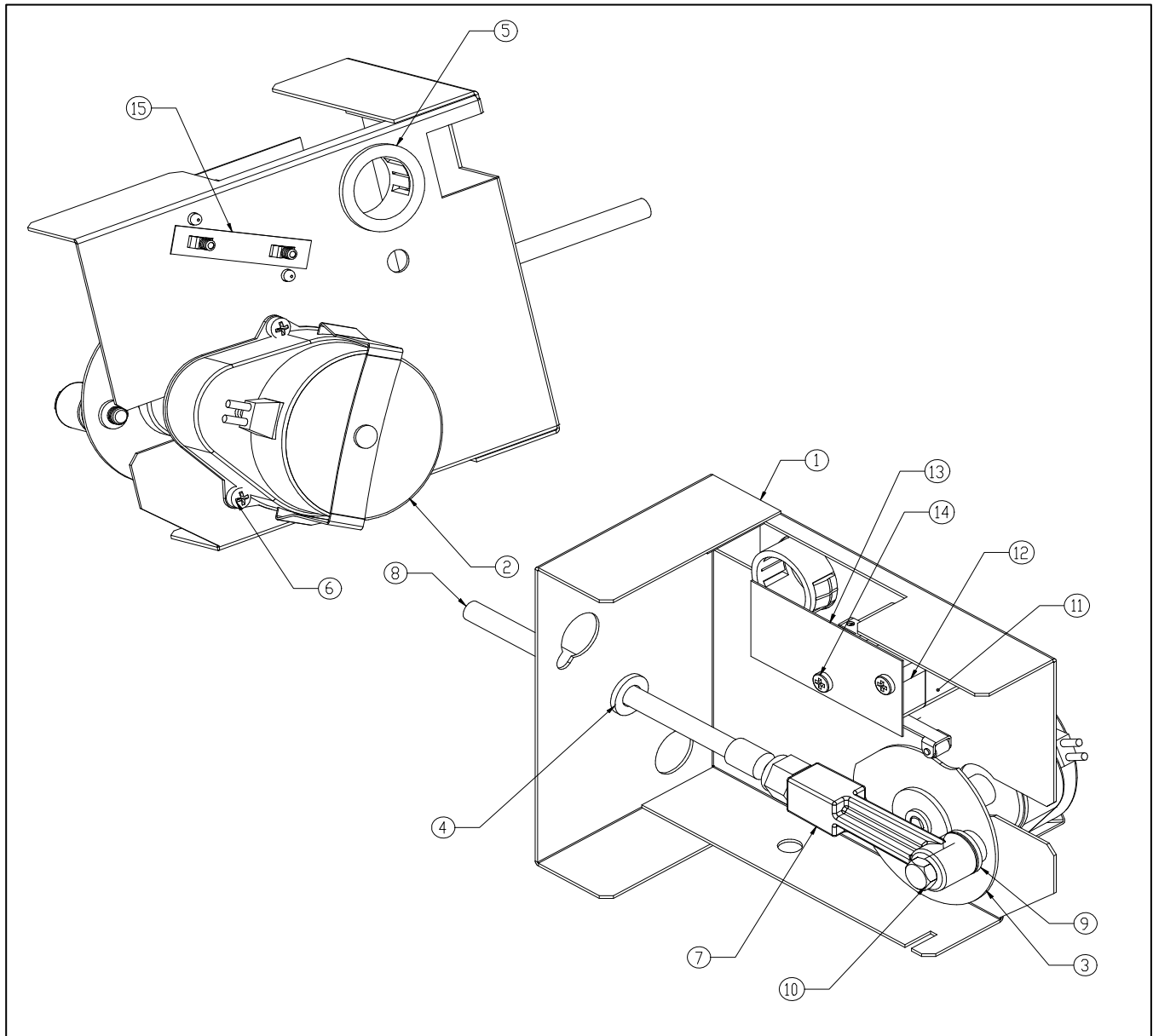
Item	CCU0300 1 1	CCU0300 5 1	Description
1	620204400	620204400	Trim Strip RH
2	620204399	620204399	Trim Strip LH
3	620204333	620204333	Panel Rear Access
4	620204562	N/A	Bushing, Strain Relief
5	620204561	N/A	Power Cord 115 Volt Only
6	620204519	620204519	Front Grill Large
7	620204520	620204520	Front Grill Small
8	620204327	620204327	Bin Assembly (Includes Item 10)
9	620204446	620204446	Hex Head Machine Screw
10	620204538	620204538	Drain Elbow
11	620204420	620204420	Clamp
12	620204912	620204912	Bin Door Assembly
	620204913	620204913	Bin Door
	620204455	620204455	Thumb Screw
	620204380	620204380	Door Stop
13	620204914	620204914	Bin Top Assembly Stainless Steel
	620204915	620204915	Plastic Corner Cap Left Side
	620204916	620204916	Plastic Corner Cap Right Side
	620204444	620204444	Truss Head Sheet Metal Screw-Plastic Corner
14	620204440	620204440	Top Panel Screw
15	620204442	620204442	Screw
16	620204460	620204460	Bin Fastener Thumb Nut Three Prong
17	620204368	620204368	Control Box Cover
18	620204909	620204909	Leg Set (4 each)
19	620204485	620204485	Ice Scoop
20	620204288	620204288	Rear Panel
21	620204397	620204397	Left Side Panel
22	620204397	620204397	Right Side Panel
23	620204813	620204813	Plastic Drain Fitting
24	N/A	620204917	Water Pump Cover
25	N/A	620204918	Cover Base Panel



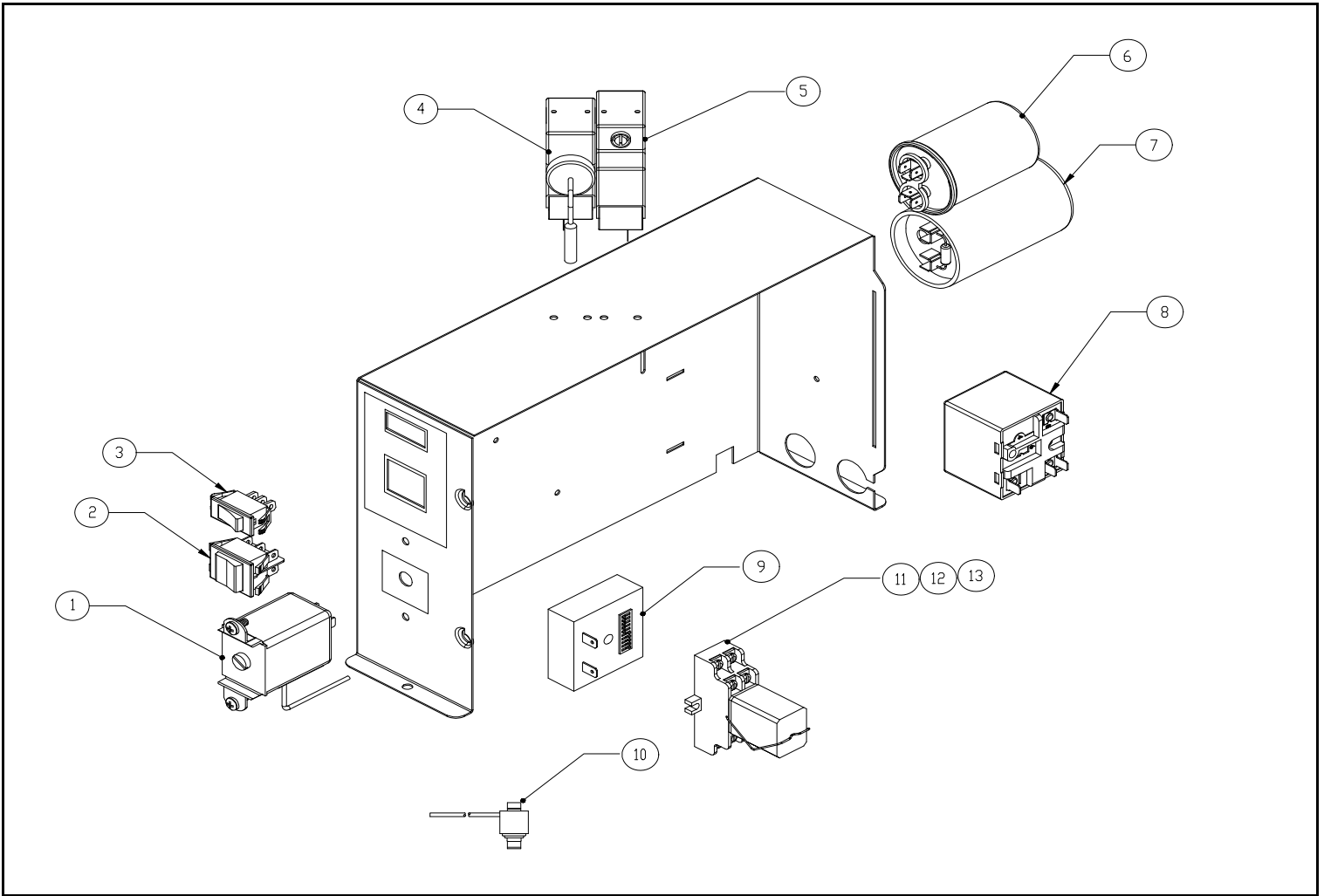
Item	CCU0300 1 1	CCU0300 5 1	Description
1	620204699	620204700	Compressor
2	620204618	620204618	Expansion Valve
3	620204601	620204601	Drier-Air Cooled
	620204604	620204604	Drier-Water Cooled
4	620204534	620204534	Service Valve Core
	620204535	620204535	Service Valve Cap
5	620204615	620204615	Hot Gas Valve Body
6	620204613	620204614	Hot Gas Valve Coil
7	620204468	620204469	Purge Valve
8	620204428	620204428	Flat Washer
9	620204742	620204742	Grommet
10	620204448	620204448	Lock Nut
11	620204743	620204743	Sleeve Compressor Mounting
12	620204435	620204435	Lock Nut (Leg)
13	620204763	620204763	Base Assembly
14	620204595	620204595	Water Condenser
15	620204326	620204326	Water Trough Assembly
16	620204443	620204443	Water Trough Screws
	620204429	620204429	Rubber Washer
	620204919	620204919	Water Trough Support Bracket
17	620204764	620204764	Fan Bracket
18	620204644	620204645	Fan Motor
19	620204579	620204579	Fan Blade
20	620204367	620204367	Fan Shroud
21	620204599	620204599	Air Condenser
22	620204420	620204420	Hose Clamp
23	620204528	620204528	Barbed Tee
24	620204813	620204813	Drain Adapter
25	620204288	620204288	Rear Panel
26	620204465	620204465	Water Regulator
27	620204529	620204529	Drop Adapter Fitting
28	620204539	620204539	Water Inlet Fitting
29	620204450	620204450	Flanged Lock Nut
30	620204471	620204471	High Temperature Safety Control
31	620204397	620204397	Side Panel S/S
32	620204397	620204397	Side Panel S/S
33	620204560	620204560	Water Pump Connector
34	620204294	620204294	Water Distribution Tube

Compressor Components

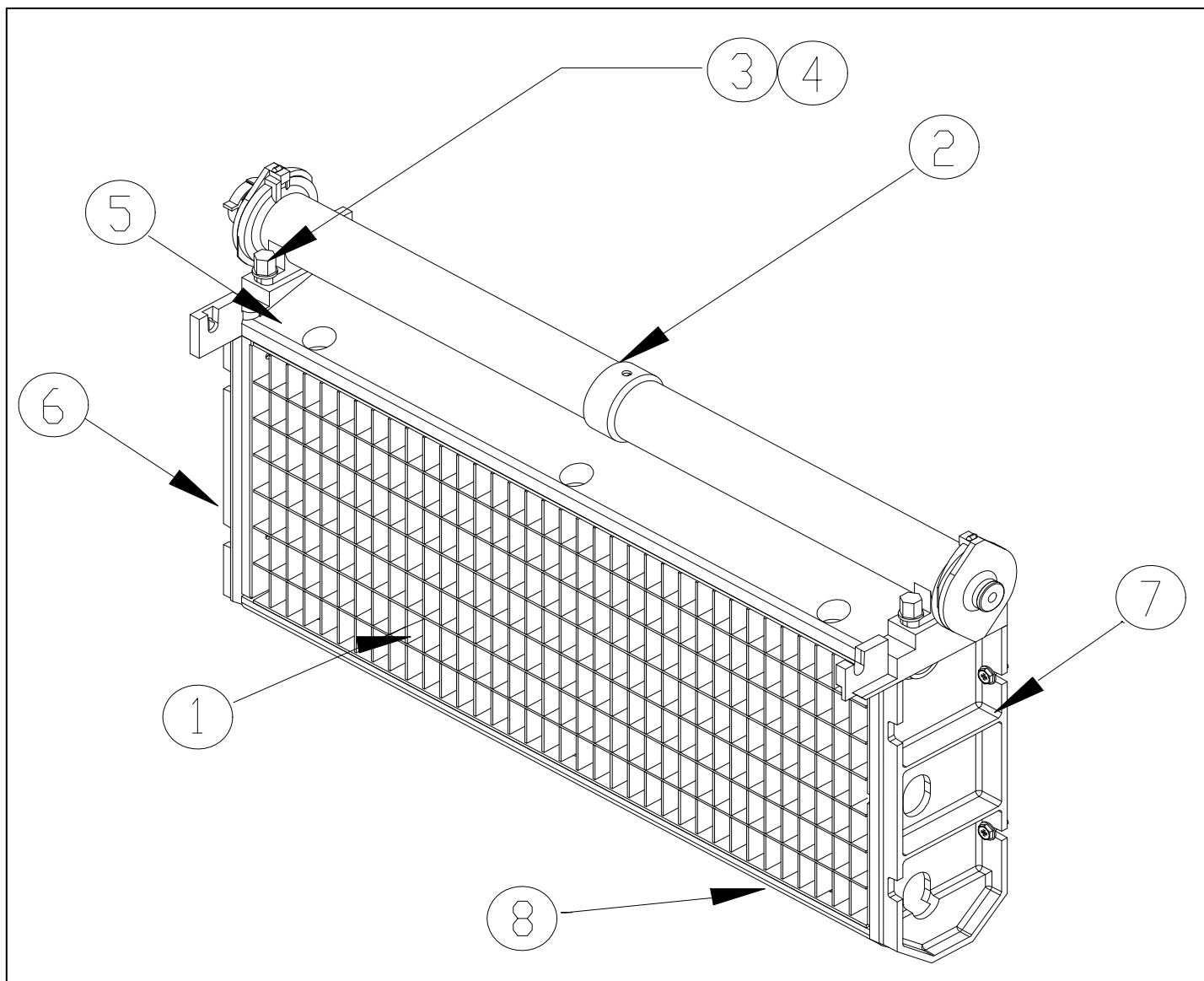
CCU0300 1 1	CCU0300 5 1	Description
620204699	620204700	Compressor
620204663	620204664	Overload
620204656	620204657	Start Capacitor
620204660	620204680	Compressor Relay
N/A	620204667	Run Capacitor



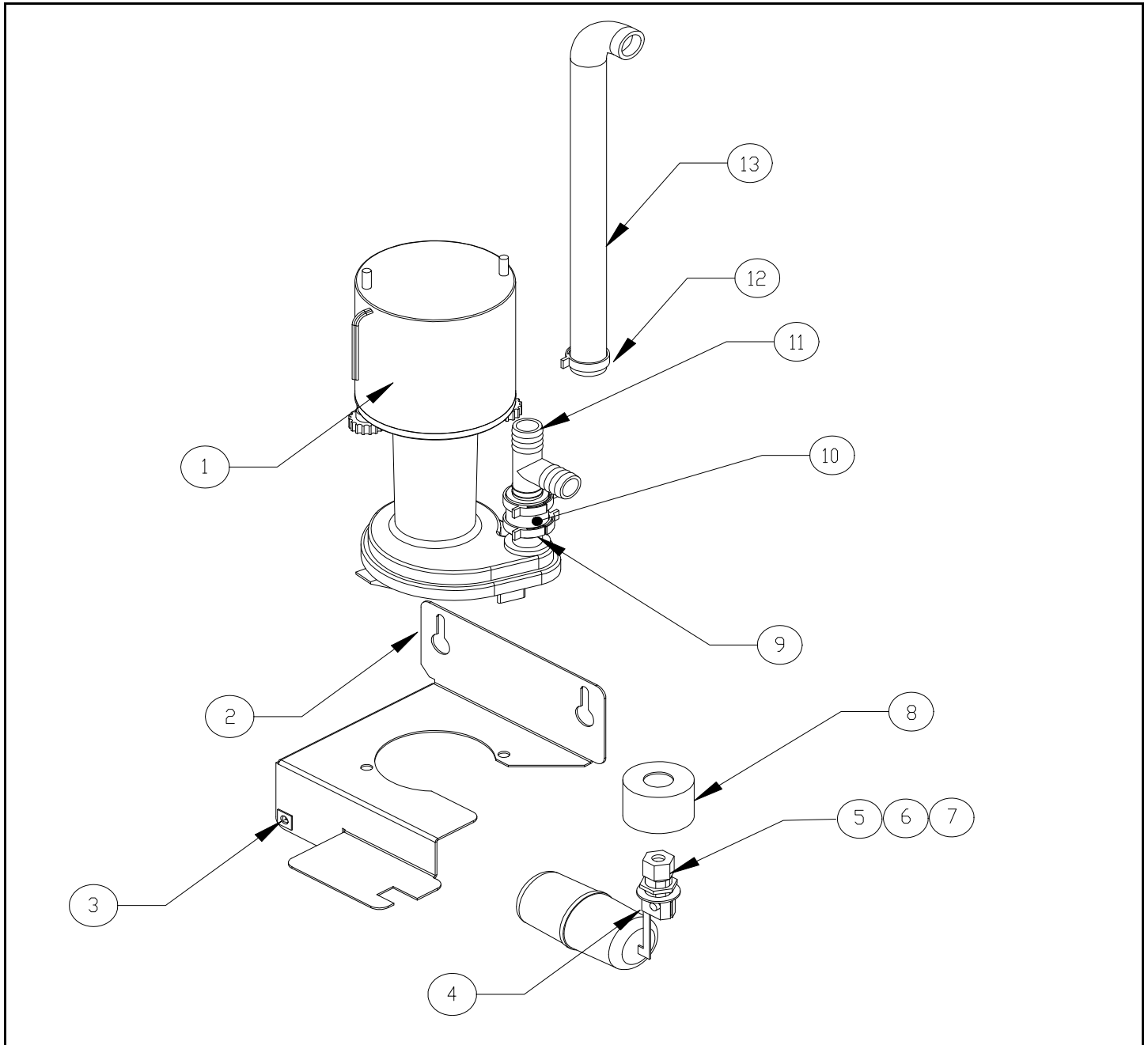
Item	CCU0300 1 1	CCU0300 5 1	Description
1	620204366	620204366	Bracket, Probe Motor
2	620204630	620204631	Gear Motor
3	620204570	620204570	Clutch Assembly, 60 Degree
4	620204483	620204483	Snap Bushing
5	620204481	620204481	Snap Bushing
6	620204439	620204439	#6-32 x 1/2 Screw
7	620204484	620204484	Connecting Rod
8	620204424	620204424	Probe, Single Length
9	620204427	620204427	Flat Washer
10	620204451	620204451	Shoulder Screw
11	620204516	620204516	Spacer, Cam Switch
12	620204556	620204556	Cam Switch
13	620204407	620204407	Insulator
14	620204434	620204434	Pan Head Screw
15	620204452	620204452	Speed Nut Plate
	620204314	620204315	Harvest Assist Assembly



Item	CCU0300 1 1	CCU0300 5 1	Description
1	620204479	620204479	Thermostat-Bin Control
2	620204557	620204557	Ice/Off/Wash Switch
3	620204553	620204553	Switch-Purge
4	620204477	620204477	High Pressure Control
5	620204476	620204476	Low Pressure Control (Timer Initiate)
6	N/A	620204667	Run Capacitor
7	620204656	620204657	Start Capacitor
8	620204660	620204680	Relay
9	620204555	620204555	Timing Module
10	620204471	620204471	High Temperature Safety Control
11	620204548	620204548	Relay
12	620204550	620204551	Socket-Relay
13	620204549	620204549	Hold Down Spring - Relay



Item	CCU0300 1 1	CCU0300 5 1	Description
1	620204766	620204766	Evaporator Assembly-Half Cube (Shown)
1	620204765	620204765	Evaporator Assembly-Full Cube
2	620204294	620204294	Water Distribution Tube
3	620204453	620204453	Thumbscrew
4	620204429	620204429	Rubber Washer
5	620204709	620204709	Spillway
6	620204489	620204489	Left Side Evaporator Mounting Panel
7	620204490	620204490	Right Side Evaporator Mounting Panel
8	620204486	620204486	Water Return



Item	CCU0300 1 1	CCU0300 5 1	Description
1	620204632	620204633	Water Pump
2	620204762	3013219-01	Pump Bracket
3	620204457	620204457	Plastic Nut
4	620204564	620204564	Float
5	620204418	620204418	Tube-Polyethylene - 11 Inches Required
6	620204531	620204531	Barrel Fitting
7	620204532	620204532	Sleeve
8	620204563	620204563	Cap Plug
9	620204416	620204416	Hose PVC 5/8 - 2.00 Inch Required
10	620204420	620204420	Plastic Clamp
11	620204528	620204528	Barbed Tee
12	620204419	620204419	Plastic Clamp
13	620204501	620204501	Drain Tube